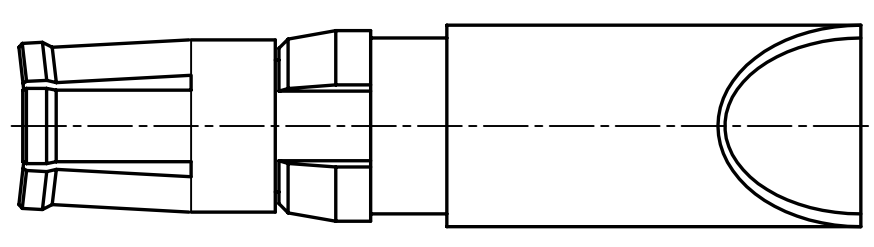
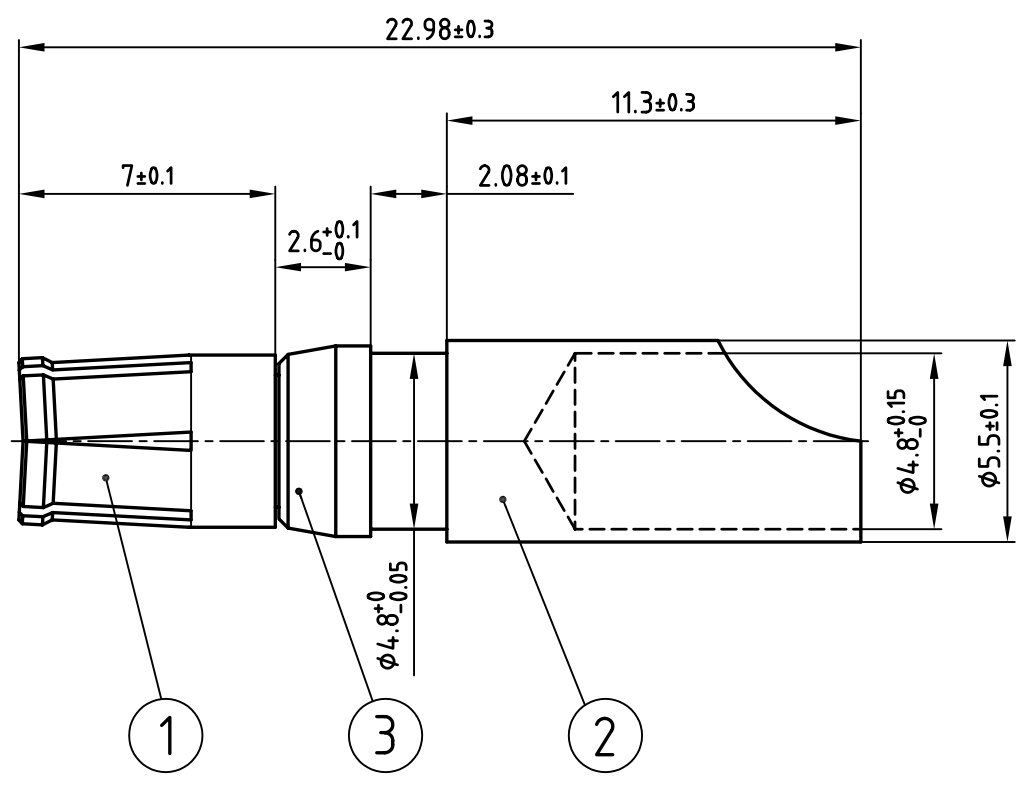


used for: D-SUB COMBINATION



**NOTES:**

- 1. MATERIAL: COPPER ALLOY
- 2. PLATING:  
 ITEM 1: min. 30µ" HARD GOLD OVER min. 50µ" NICKEL  
 ITEM 2: min. 8µ" HARD GOLD OVER min. 50µ" NICKEL  
 ITEM 3: NICKEL PLATED

Directive 2002/95/EC  
„RoHS“  
Compliant

THIS DRAWING MAY NOT BE COPIED OR REPRODUCED IN ANY WAY, AND MAY NOT BE PASSED ON TO A THIRD PARTY WITHOUT WRITTEN PERMISSION. OWNERSHIP AND COPYRIGHT OF CONEC GmbH DO NOT ALTER CAD DRAWING BY HAND

			tolerance		
1998	date	name			
drawn	23.03.	Barcinski			
appd.	23.03.	Mickenbecker			
norm					
d-old					
rev.	description	date	<b>CONEC®</b>		

scale:	5:1
material:	SEE NOTES
title: <b>HIGH POWER CONTACT FEMALE</b> SOLDER CUP 40A D-SUB COMBINATION	
dwg no:	AutoCAD/REL.13
<b>13K1IE6A</b>	
part no:	<b>132C10049X</b>

DIN-A  
4  
sh: 1/1